

MIXPAC™ MixCoat™ Systems



TWO-COMPONENT COATINGS



INDUSTRY



TABLE OF CONTENTS

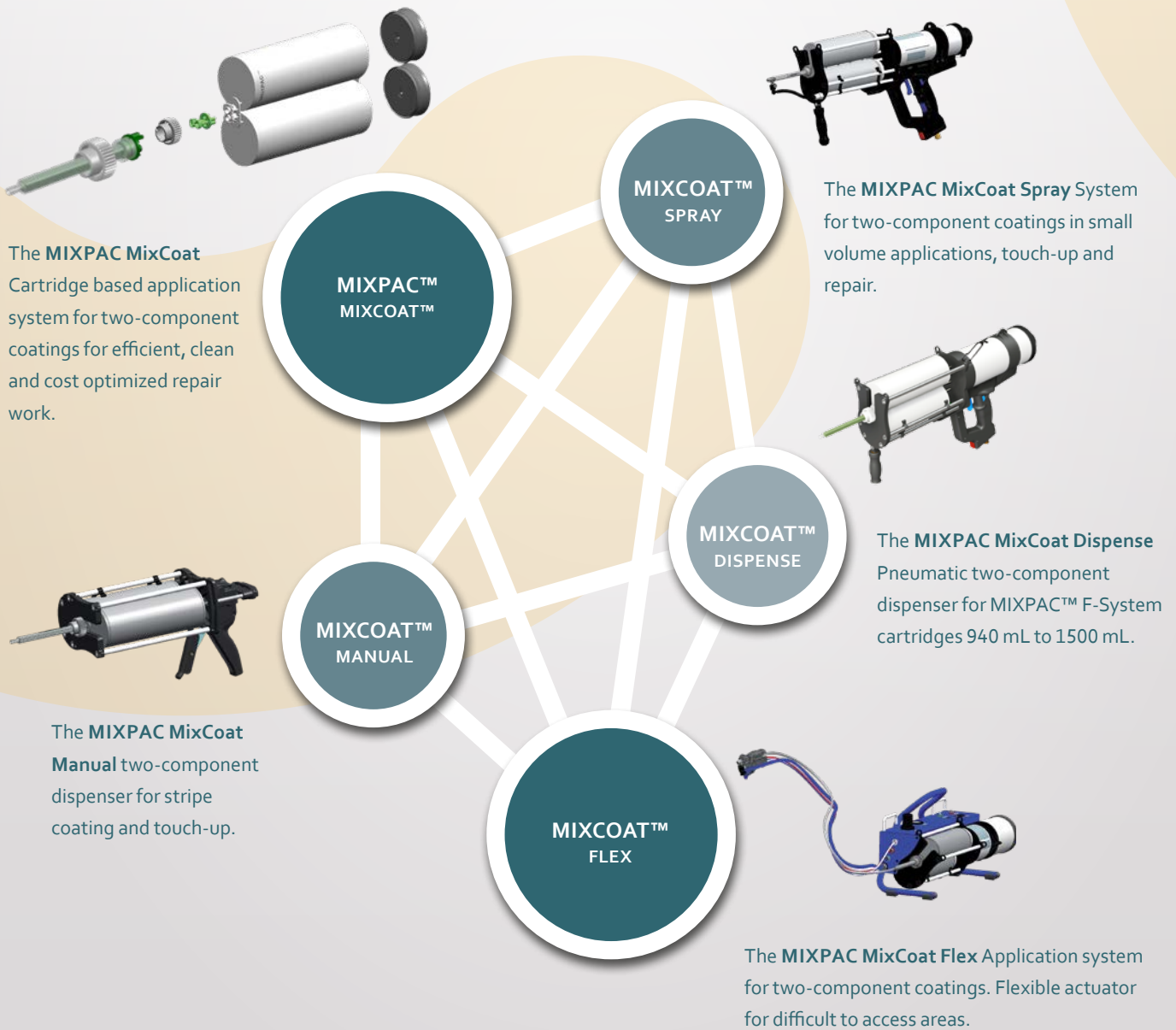
System Overview	4
Coating Cartridge Set	5
Manual	7
Pneumatic Dispense/Spray	8
Pneumatic Flex Spray	9
Hybrid Systems	10



WHY CHOOSE MIXPAC™ MIXCOAT™?

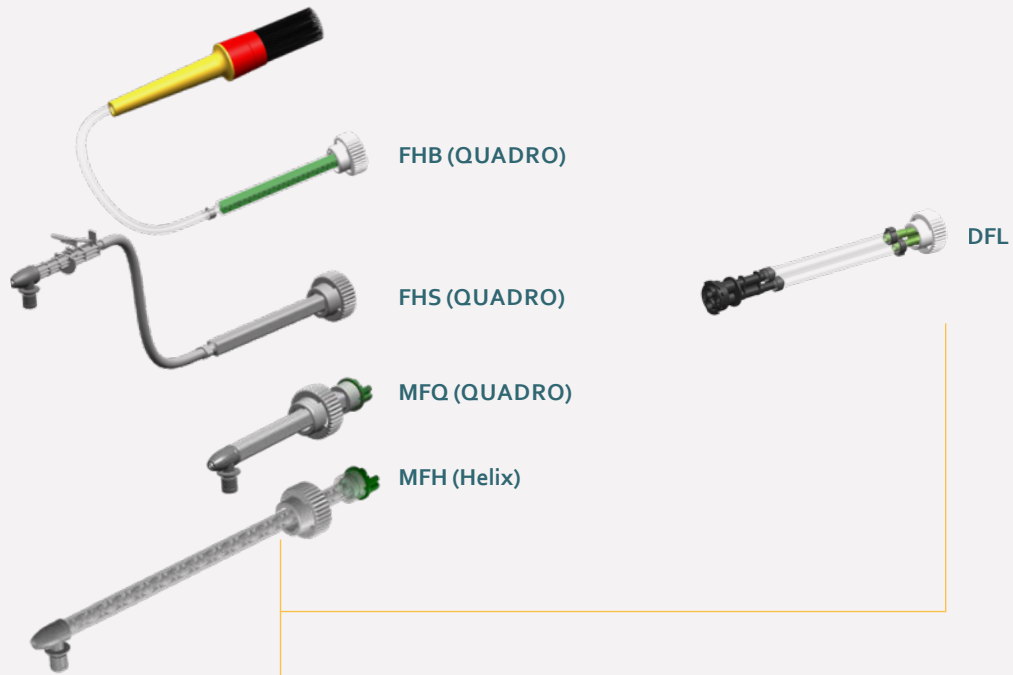
- EFFICIENT AND TIME SAVING
- RELIABLE QUALITY
- USER-FRIENDLY
- FLEXIBILITY
- CLEAN AND SAFE
- OPTIMAL AND REPRODUCIBLE MIXING RESULTS

100% COMPATIBLE CARTRIDGE BASED TWO-COMPONENT COATING SYSTEMS



SYSTEM OVERVIEW

ACCESSORIES



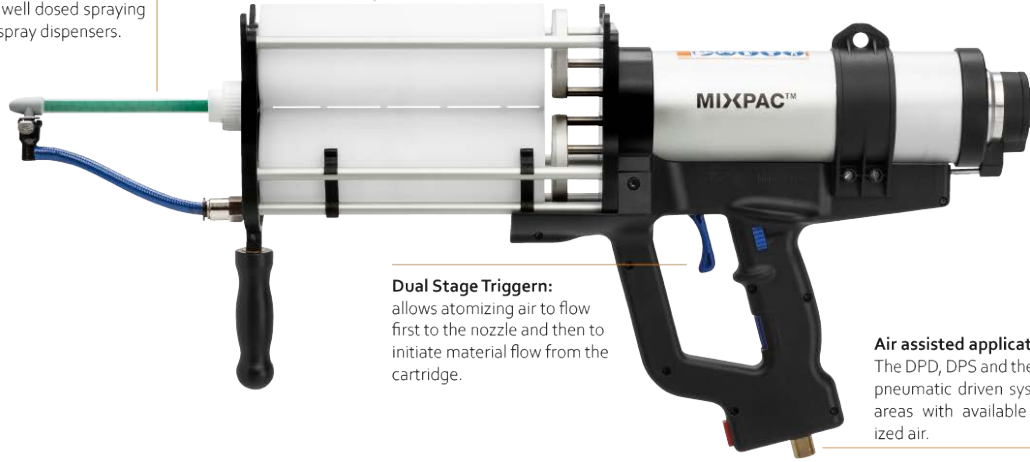
ONE COMPATIBLE SYSTEM

Mixers with air-assisted spraying:

based on the wellknown high-quality QUADRO mixing technology the spraying mixers are developed with spraying heads to assure a precise and well dosed spraying result with all MixCoat spray dispensers.

Cartridge based system:

the two-component coating material is delivered in already filled cartridges to mount into the right MixCoat system. Available in the ratios 1:1, 2:1, 3:1 and 4:1.



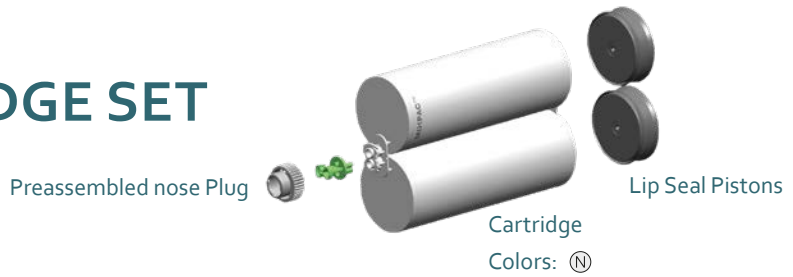
Dual Stage Triggern:

allows atomizing air to flow first to the nozzle and then to initiate material flow from the cartridge.

Air assisted application:

The DPD, DPS and the DPF are pneumatic driven systems for areas with available pressurized air.

COATING CARTRIDGE SET



Preassembled nose Plug

Lip Seal Pistons

Cartridge
Colors: Ⓝ

Volume	Ratio	ID	Article	Cartridges Material/Color	Lip Seal Pistons	Units/ Pallet	Mixer Technology	Matching Dispenser
1500 mL	1:1	153493	AF 1500-01-14-01	PP/Ⓝ	Self-venting	418	all	all
	1:1	166293	AF 1500-01-14-05	PP/Ⓝ	Self-venting	418	all	all
1125 mL	2:1	153160	AF 1125-02-14-04	PP/Ⓝ	Set without pistons	532	all	all
	2:1	183842	PVAQ 1125-02-51		Self-venting	532	all	all
	2:1	128069	PVBQ 1125-02-51		Self-venting	532	all	all
1000 mL	3:1	153477	AF 1000-03-14-04	PP/Ⓝ	Set without pistons	627	all	all
	3:1	183841	PVAQ 1000-03-51		Self-venting	627	all	all
	3:1	301961	PVBQ 1000-03-51		Self-venting	627	all	all
940 mL	4:1	153468	AF 940-04-14-04	PP/Ⓝ	Set without pistons	684	all	all
	4:1	183840	PVAQ 0940-04-51		Self-venting	684	all	all
	4:1	128066	PVBQ 0940-04-51		Self-venting	684	all	all

PISTON INSERTION DEVICE

Volume	Ratio	ID	Article
1500 mL	1:1	128332	PIDQ 1500-01-01
1125 mL	2:1	128635	PIDQ 1125-02-01
1000 mL	3:1	117269	PIDQ 1000-03-01
940 mL	4:1	128634	PIDQ 0940-04-01



MATCHING DISPENSERS

	ID	Article	Ratio			
			1:1	2:1	3:1	4:1
DM dispenser manual	128966	DM 1500-01	✓	✓	✓	✓
						
DPD dispenser pneumatic	128962	DPD 1500-01	✓	✓	✓	✓
						
DPS dispenser pneumatic spray	128963	DPS 1500-01	✓	✓	✓	✓
						
DPF dispenser pneumatic flex spray	128965	DPF 1500-15	✓	✓	✓	✓
	128989	DPF 1500-30	✓	✓	✓	✓
						

MATCHING MIXERS

	ID	Article	Number of Elements	Inner Diameter Ø mm/inch	Length m/feet	Units/Box	Check Valve		Spray		Brush	
							Dual	Angle, MF	Angle, HF	MF	HF	Long Handle
1:1/2:1/3:1/4:1 FHB	163207	FHB 01-075-02	24	8.7/0.343	0.75/2.5	20	✓					✓
	161982	FHB 01-15-06	24	8.7/0.343	1.5/4.9	20	✓					✓
	161983	FHB 01-15-07	24	8.7/0.343	1.5/4.9	20	✓					✓
1:1/2:1/3:1/4:1 FHS	161984	FHS 01-15-M-02	24	8.7/0.343	1.5/4.9	20	✓			✓		
	161985	FHS 01-15-MA-02	24	8.7/0.343	1.5/4.9	20	✓	✓				
	161986	FHS 01-30-M-02	24	8.7/0.343	3.0/9.8	20	✓			✓		
	161987	FHS 01-30-MA-02	24	8.7/0.343	3.0/9.8	20	✓	✓				
1:1 DFL	167591	DFL 01-10			1.0/3.3	5	✓					
	154264	DFL 01-15			1.5/4.9	5	✓					
	154262	DFL 01-30			3.0/9.8	5	✓					
1:1/2:1/3:1/4:1 MFH	154145	MFH 08-32C-13	32	8.0/0.315		400	✓			✓		
	162972	MFHA 08-32C-13	32	8.0/0.315		400	✓	✓				
1:1/2:1/3:1/4:1 MFQ	151717	MFQ 07-18C-06	18	7.5/0.295		500						✓
	161980	MFQ 07-18C-12	18	7.5/0.295		500	✓					✓
	128112	MFQ 08-24C-06	24	8.7/0.343		500						✓
	128113	MFQ 08-24C-07	24	8.7/0.343		500				✓		
	129438	MFQ 08-24C-12	24	8.7/0.343		500	✓					✓
	129439	MFQ 08-24C-13	24	8.7/0.343		500	✓			✓		
	161981	MFQ 08-24D 2CV	24	8.7/0.343		500	✓					
1:1/2:1/3:1/4:1 MFQA	128116	MFQA 08-24C-06	24	8.7/0.343		500				✓		
	128117	MFQA 08-24C-07	24	8.7/0.343		500			✓			
	161745	MFQA 08-24C-12	24	8.7/0.343		500	✓			✓		
	161746	MFQA 08-24C-13	24	8.7/0.343		500	✓		✓			

DISPENSER & ACCESSORIES

MANUAL

DM 1500-01



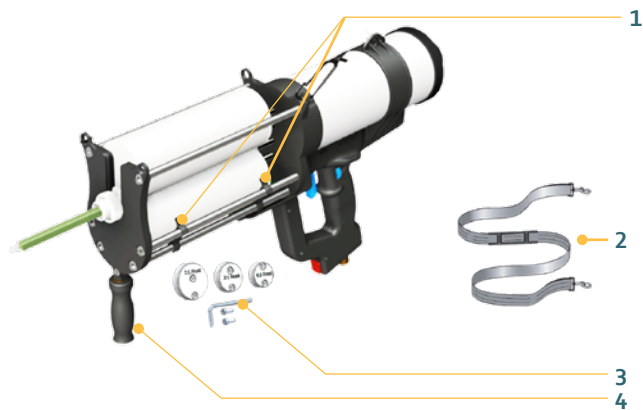
Pos	ID	Article	Description
	128966	DM 1500-01	Dispenser manual
1	129304	SP-D-001	Cartridge retention clips (4 pcs.)
2	129031	SP-D-002	Shoulder strap
3	128993	CK 1500	Converter Kit 1:1, 2:1, 3:1, 4:1 including hex key and screws

ATTENTION: The shown cartridge and mixer are not included in the delivery.

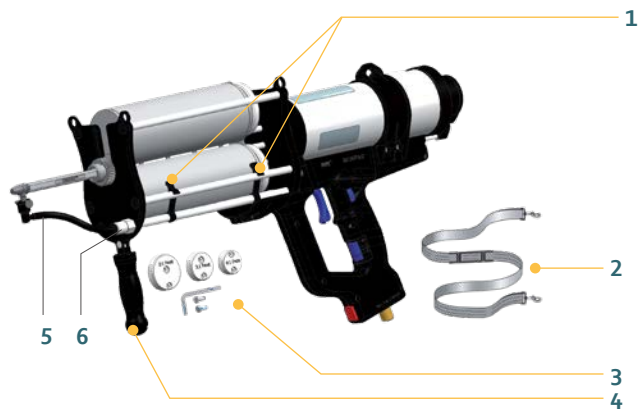
DISPENSER & ACCESSORIES

PNEUMATIC DISPENSE/SPRAY

DPD 1500-01



DPS 1500-01



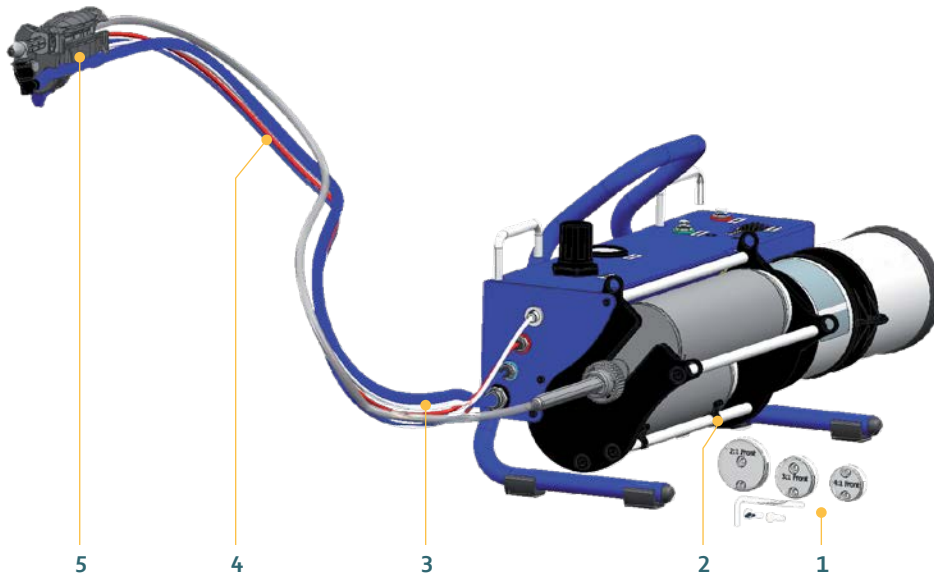
Pos	ID	Article	Description
	128962	DPD 1500-01	Dispenser pneumatic dispense
	128963	DPS 1500-01	Dispenser pneumatic spray
1	129304	SP-D-001	Cartridge retention clips (4 pcs.)
2	129031	SP-D-002	Shoulder strap
3	128993	CK 1500	Converter Kit 1:1, 2:1, 3:1, 4:1 including hex key and screws
4	129305	SP-DPS-003	Adjustable handle
5	129300	SP-DPS-001	Atomizing air tube including quick lock coupling (used with MFQ mixers)
	160112	SP-DPS-004	Atomizing air tube including quick lock coupling (used with MFH mixers)
	151690	SP-DPF-005	Atomizing air tube including quick lock coupling, 1.5 m
	167592	SP-DPF-006	Atomizing air tube including quick lock coupling, 1 m
6	129301	SP-DPS-002	Pneumatic push to connect fitting

ATTENTION: The shown cartridge and mixer are not included in the delivery.

DISPENSER & ACCESSORIES

PNEUMATIC FLEX SPRAY

DPF 1500-15 / DPF 1500-30



Pos	ID	Article	Description
	128965	DPF 1500-15	Dispenser pneumatic flex spray, 1.5 m
	128989	DPF 1500-30	Dispenser pneumatic flex spray, 3 m
1	128993	CK 1500	Converter Kit 1:1, 2:1, 3:1, 4:1 including hex key and screws
2	129304	SP-D-001	Cartridge retention clips (4 pcs.)
3	151689	SP-DPF-004	Atomizing air tube including quick lock coupling, 3 m
3	151690	SP-DPF-005	Atomizing air tube including quick lock coupling, 1.5 m
4	129302	SP-DPF-001	Air tubes preassembled, 1.5 m including atomizing air, control air tubes and quick lock coupling for spray mixer connection
	129303	SP-DPF-002	Air tubes preassembled, 3 m including atomizing air, control air tubes and quick lock coupling for spray mixer connection
5	128861	SP-DPF-003	Actuator, hand held (excluding air control tubes)

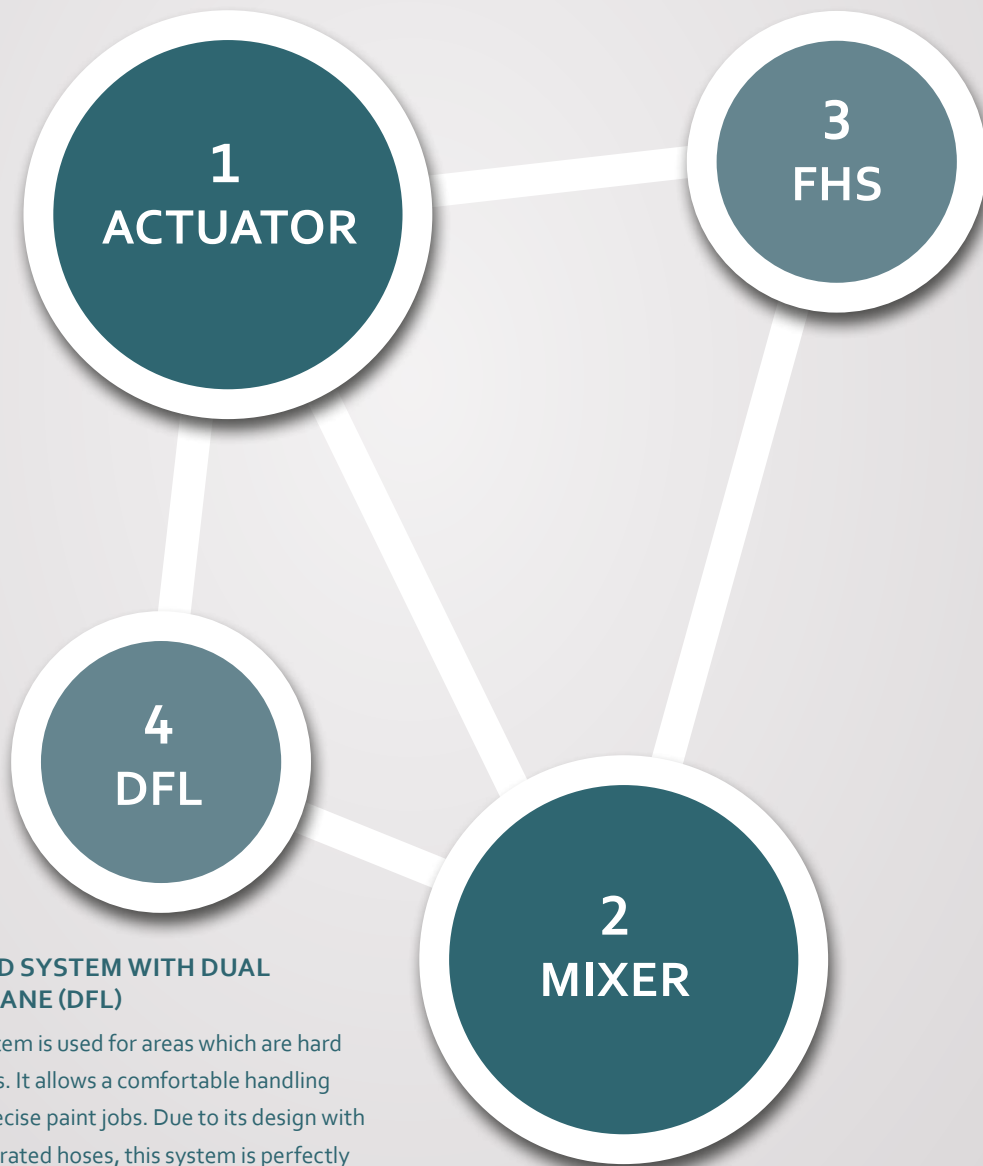
ATTENTION: The shown cartridge and mixer are not included in the delivery.

SPECIAL APPLICATION

HYBRID SYSTEMS

HYBRID SYSTEM WITH FLEX HOSE SPRAY (FHS)

This system is used for areas which are hard to access. It allows a comfortable handling to do precise paint jobs. Due to its geometry, this system is also recommended for very low viscose mixtures.



HYBRID SYSTEM WITH DUAL FLEX LANE (DFL)

This system is used for areas which are hard to access. It allows a comfortable handling to do precise paint jobs. Due to its design with the separated hoses, this system is perfectly suitable for material with very short pot life.



MixCoat movies

DELIVERING INNOVATION. INSPIRING CONFIDENCE.

EUROPE

medmix Switzerland AG

Ruetistrasse 7
9469 Haag, Switzerland
Phone +41 81 414 70 00
sales.industry@medmix.com
www.medmix.swiss

USA, SOUTH AMERICA, CANADA AND MEXICO

medmix US Inc.

8 Willow St.
Salem, NH 03079, USA
Phone +1 603 893 2727
sales.industry@medmix.com
www.medmix.swiss

UK AND IRELAND

medmix UK Ltd.

1 Tealgate, Charnham Park, Hungerford
Berkshire, RG17 0YT, United Kingdom
Phone: +44 (0)1488 647 800
sales.industry@medmix.com
www.coxdispensers.com

SPAIN

medmix Spain S.A.

Calle No. Diez, 22
ES 46470 Albal (Valencia)
Phone +34 96 276 31 99
sales.spain@medmix.com
www.medmix.swiss

ASIA PACIFIC

medmix China Ltd.

68 Bei Dou Lu, Minhang Shanghai
200245, China
Phone: +86 21 6430 68 68
sales.industry@medmix.com
www.medmix.swiss



Legal Notice: This brochure is a general presentation. The information contained in this publication is believed to be accurate and reliable but is not to be construed as implying any warranty or guarantee of performance. We waive any liability and indemnity for effects resulting from its application. Please, contact us for a description of the warranties and guarantees offered with our products. Directions for use and safety will be given separately. All information herein is subject to change without notice.

© 2024 medmix Switzerland AG All rights reserved.

medmix is a trademark belonging to medmix AG, and MIXPAC is a trademark belonging to medmix Switzerland AG.