

MIXPAC™ Blueline



2-COMPONENT INDUSTRY
SOLUTIONS

 medmix

INDUSTRY 

OVERVIEW

MIXPAC™ BLUELINE™

400 ML INDUSTRIAL SET

ACCESSORIES

OUTLET TIP

Stepped Tip (T)

MIXER



CARTRIDGE



DISPENSER



OUTLET TIP



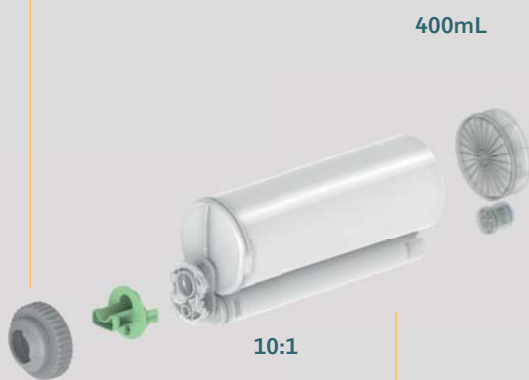
V notch (V)



Threaded Tip (G)



● MBLTX



400mL

10:1



● DB2C

MIXPAC™ BLUELINE™

CARTRIDGE SET

400 INDUSTRIAL SET





CARTRIDGE ASSEMBLY 400 ML

Preassembled nose plug,
bigger outlet
Colors grey: ●






Ratio Set/ Volume	ID	Article	Cartridges Material/Color	Piston Material/Type	O-ring	Units/ Box	Mixer Technology	Matching Dispenser
2:1 400 mL	154087	ABL 400-02-10-01	PP/⊗	PP, self-venting	–	180	MBLT ○	DMX2 ● DPX2 ●
10:1 400 mL	154102	ABL 400-10-10-01	PP/⊗	PP, self-venting	–	160	MBLTX ●	DMX2 ● DPX2 ●
	167306	ABL 400-10-20-01	PBT/⊗	PA, self-venting	–	160	MBLTX ●	DMX2 ● DPX2 ●

MATCHING MIXERS

	ID	Article	Number of Elements	Inner Diameter Ø mm/inch	Waste Volume (mL)	Units/Box	Outlet Tip		
							Stepped Tip (T)	Threaded Tip (G)	V Tip (V)
2:1 MBLT	154011	MBLT 14-12T	12	14.0/0.551	18.92	800	✓		
									
10:1	153993	MBLTX 14-16V	16	14.0/0.551	23.48	580		✓	
	166900	MBLTX 14-16G	16	14.0/0.551	23.50	580		✓	
									

MATCHING DISPENSERS

	ID	Article	Ratio				Force (kN)
			1:1	2:1	4:1	10:1	
DM2X dispenser manual 	165807	DM2X 400-01-60	✓	✓			6.0
	165809	DM2X 400-10-60				✓	6.0
DP2X dispenser pneumatic 	165864	DP2X 400-01-50	✓	✓			5.0
	165866	DP2X 400-10-50				✓	5.0
ElectraFlow Dual Ultra dispenser battery 	163287	DB2C 400-MR-500-001	✓	✓	✓	✓	5.0

DELIVERING INNOVATION. INSPIRING CONFIDENCE.

EUROPE

medmix Switzerland AG

Ruetistrasse 7

9469 Haag, Switzerland

Phone +41 81 414 70 00

sales.industry@medmix.com

www.medmix.swiss

USA, SOUTH AMERICA, CANADA AND MEXICO

medmix USA Inc.

8 Willow St.

Salem, NH 03079, USA

Phone +1 603 893 2727

sales.industry@medmix.com

www.medmix.swiss

UK AND IRELAND

medmix UK Ltd.

1 Tealgate, Charnham Park, Hungerford

Berkshire, RG17 0YT, United Kingdom

Phone: +44 (0)1488 647 800

sales.industry@medmix.com

www.coxdispensers.com

ASIA PACIFIC

medmix China Ltd.

68 Bei Dou Lu, Minhang Shanghai

200245, China

Phone: +86 21 6430 68 68

sales.industry@medmix.com

www.medmix.swiss



Legal Notice: This brochure is a general presentation. The information contained in this publication is believed to be accurate and reliable but is not to be construed as implying any warranty or guarantee of performance. We waive any liability and indemnity for effects resulting from its application. Please, contact us for a description of the warranties and guarantees offered with our products. Directions for use and safety will be given separately. All information herein is subject to change without notice.

© 2022 medmix Switzerland AG All rights reserved.

medmix is a trademark belonging to medmix AG, and MIXPAC is a trademark belonging to medmix Switzerland AG.